

TECHNICAL DATA



PRO	CRI ≥ 80	
IP65		90°
220-240V 50/60Hz		30000h L70

TYPE

SHARK floodlight with low wind resistance. Can be tilted in all directions thanks to its fixing galvanized and painted bracket.

CHARACTERISTICS

LEDs: 3030

Power factor: 0.98

Lifetime L90B10:>30,000 hours

Luminous flux and efficacy at 4000°K and CRI>70

Luminous flux tolerance <+/-3%

Values may be subject to change du LED binning.

High efficiency Ra>80 LED.

OPENING/BEAM

25 / 50 /90°

MATERIAL

Die-cast aluminium, Transparent 4mm

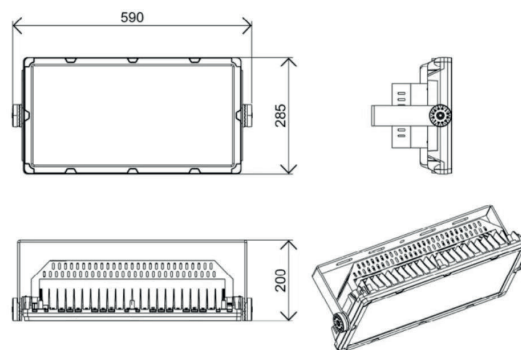
tempred-Glass

Aluminum frame

Steel Galvanized and painted bracket

DIMENSION DRAW

Model:	Shark LED
Format:	Square
Location:	Exterior
Wattage:	500W
Materials:	Alu+Glass
Led Color:	3000K / 4000K / 6500K
Product Dimension:	590mm
IP Code:	65
Fixation:	Ceiling
CRI :	80
Lumen Output:	76,000LM
Frequency:	50/60 Hz
Beam Angle:	25/50/90°
Net weight / Gross weight:	12.6/13.65kgs



OUTDOOR